

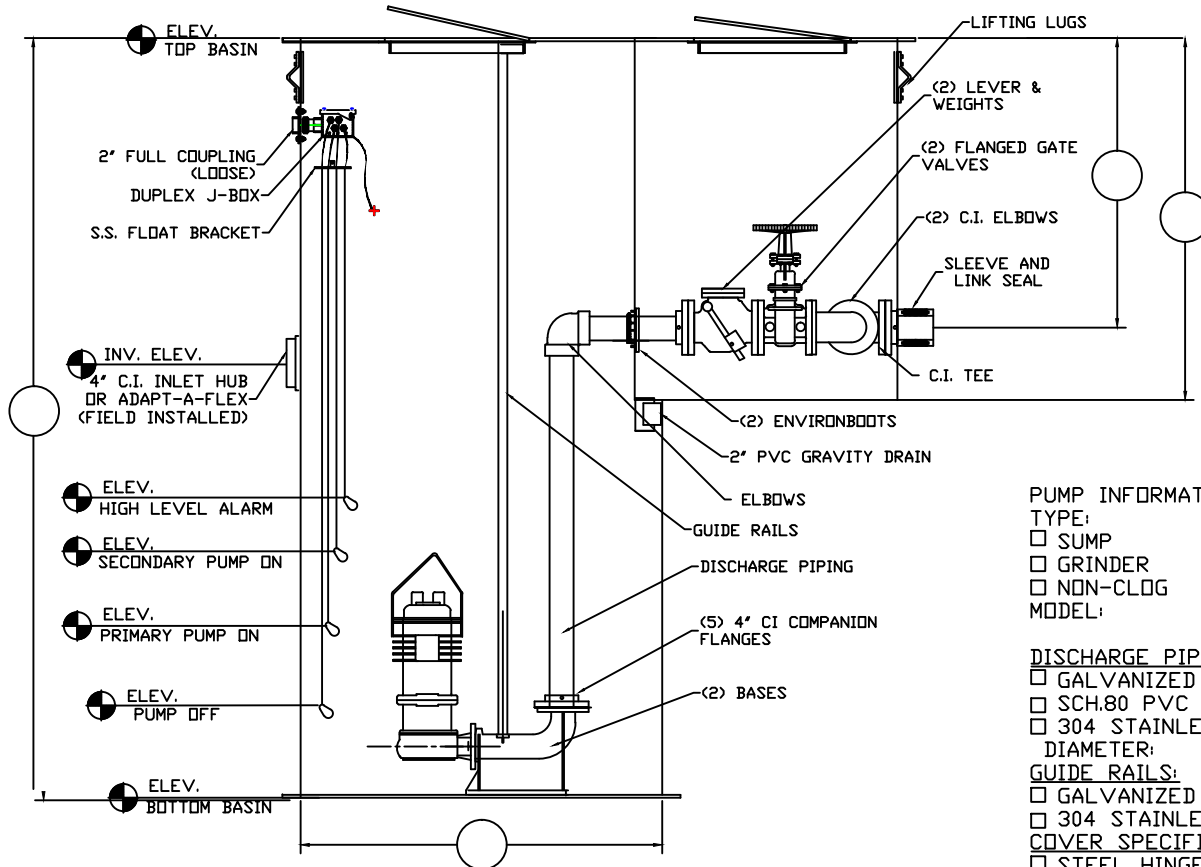
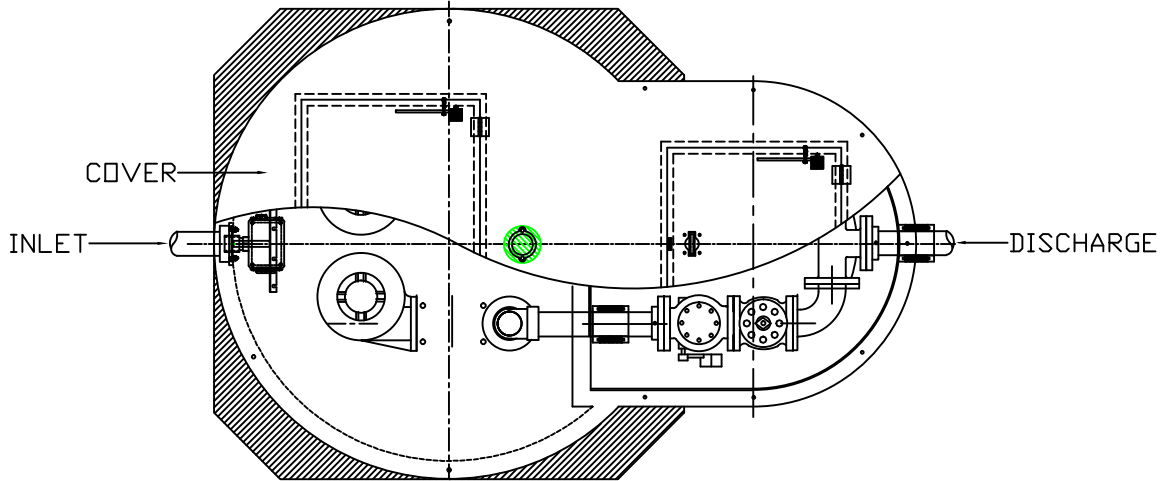
PART/PRINT #:

PART DESCRIPTION:

DATE:

NOTES:

- 1) BASIN LENGTHS AND DEPTHS ARE INSIDE DIMENSIONS
- 2) BASIN COLOR IS GREEN
- 3) ALL DIMENSIONS ARE +/- 1/8"



- PUMP INFORMATION:**
- TYPE:
 - SUMP
 - GRINDER
 - NON-CLOG
 - MODEL:
- DISCHARGE PIPE**
- GALVANIZED SCH 40
 - SCH.80 PVC
 - 304 STAINLESS STEEL
- DIAMETER:**
- GUIDE RAILS:**
- GALVANIZED
 - 304 STAINLESS STEEL
- COVER SPECIFICATIONS**
- STEEL HINGED DOOR
 - ALUMINUM HINGED DOOR
 - Ø2" VENT ON COVER

THIS DRAWING FOR SUBMITTAL ONLY

THIS DRAWING IS THE SOLE PROPERTY OF AK INDUSTRIES INC.



AK INDUSTRIES INC.
2055 PIDCO DR.
PLYMOUTH, IN. 46563
PHONE:(574) 936-6022

DRAWN BY:
B.SNYDER

SCALE:
NOT TO SCALE

REVISION#:

SIGNATURE: