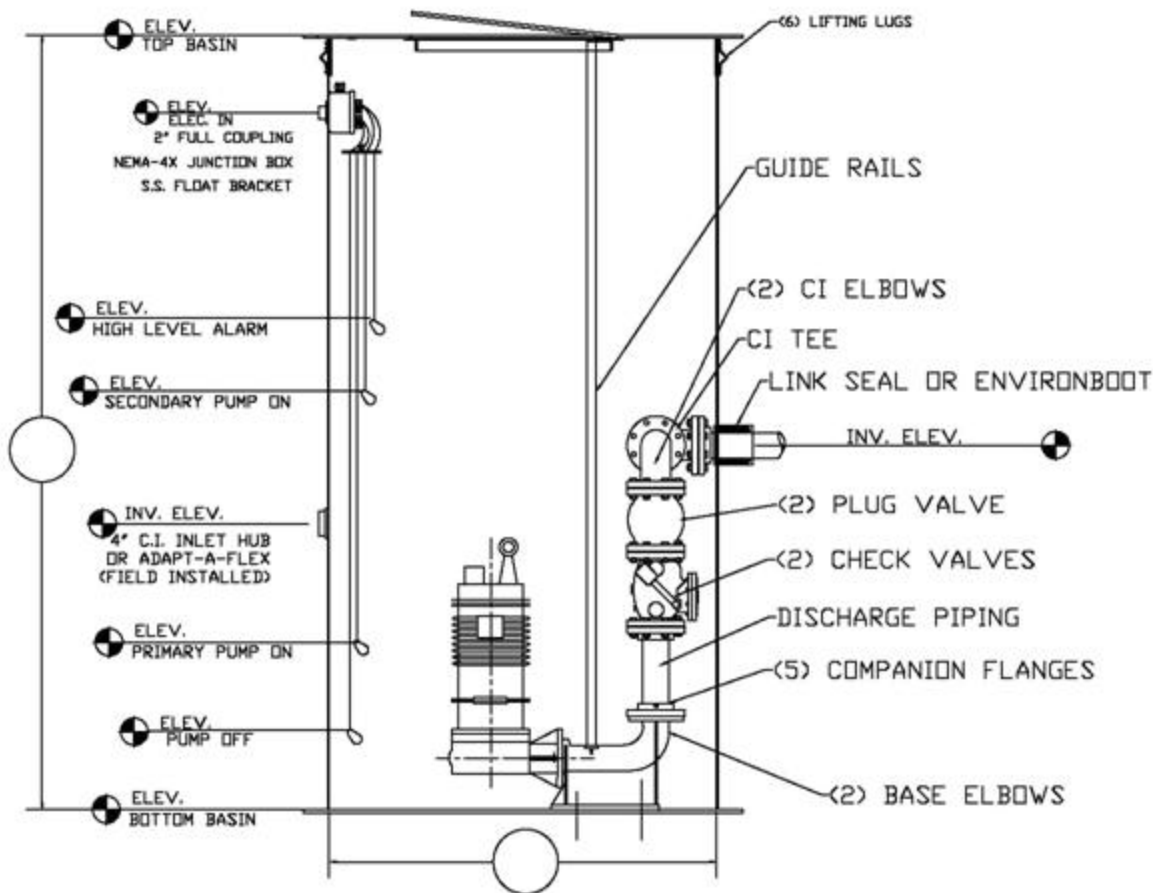
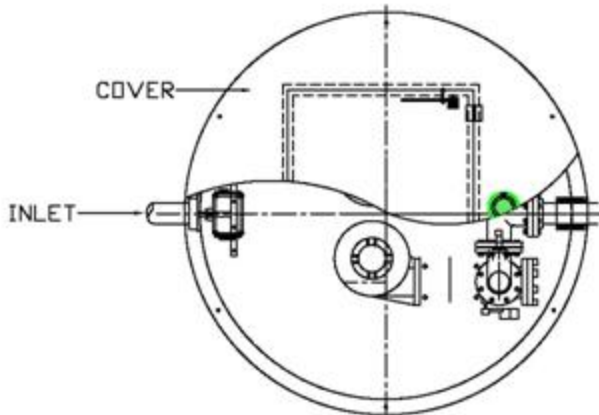


PART/PRINT #: -----	PART DESCRIPTION: -----	DATE: ---
------------------------	----------------------------	--------------

NOTES:
 1) BASIN LENGTHS AND DEPTHS ARE INSIDE DIMENSIONS
 2) BASIN COLOR IS GREEN
 3) ALL DIMENSIONS ARE +/- 1/8"

PUMP INFORMATION:
 TYPE:
 SUMP
 GRINDER
 NON-CLOG
 MODEL:

DISCHARGE PIPE
 SCH40 GALVANIZED
 SCH80 PVC
 SCH40 STAINLESS STEEL
 DIAMETER:
 GUIDE RAILS:
 GALVANIZED
 304 STAINLESS STEEL
 COVER SPECIFICATIONS:
 STEEL HINGED DOOR
 ALUMINUM HINGED DOOR
 SOLID FIBERGLASS
 #2" VENT ON COVER



THIS DRAWING FOR SUBMITTAL ONLY

THIS DRAWING IS THE SOLE PROPERTY OF AK INDUSTRIES INC.

 AK INDUSTRIES INC. 2055 PIDCO DR. PLYMOUTH, IN. 46563 PHONE (574) 936-6022	DRAWN BY: B.SNYDER	SCALE: NOT TO SCALE	REVISION#:	SIGNATURE:
---	-----------------------	------------------------	------------	------------